

REGISTERED



CRN: CSA-OC20294.56

Registration Process administered by
CSA Group per CSA B51

Statutory Declaration Registration of Fittings

(a) Design Qualification

I¹ Joel Feldman
Vice President, Engineering
(Position eg. president, plant manager, chief eng.)

Of Swagelok Company
(name of company)

Located at Headquarters: 29500 Solon Road, Solon, Ohio 44139 USA (See Attachment A)
(plant address)

do solemnly declare that the fittings listed hereunder, which are subject to the Boilers & Pressure Vessels Act

comply with all the requirements of the ANSICASME codes as to their dimensions, material, identification & service for which are required

Or

are not covered by the provisions of the ANSICASME codes, and are therefore constructed to comply with _____ code and standard, and are designed to the best current engineering practice, as shown by the supporting test data.

(b) Quality control of Manufacture

I further declare the manufacture of these fittings is controlled by a quality control program which complies with the requirements of ISO 9001:2015 and has been verified by the following authority or authorized agency BSI

The fittings² covered by this declaration, for which I seek registration, are Category C, Valves

In support of the application, the following information, calculations and/or test data are attached
ISO 9001:2015 Certificate, Attachment A, Attachment B, Catalog Information and other Support Documents

Declared before me at Solon
in the State of Ohio
The 07 Day of May AD 2018
Jamie S. Ristau A (commissioner for oaths)
Joel C. Feldman Signature of Declarer
Resident Portage County
Notary Public, State of Ohio
My Commission Expires: 03/06/2019

For Official Use Only

The application is accepted for registration in Category C in accordance with the Boilers and Pressure Vessels Act and CSA Standard B51.

This registration must be revalidated after ten (10) years from the date of acceptance APRIL 24 2028

Registered Number CRN CSA-OC20294.56 For the Chief Inspector A. BANWATT
Date June 13 2018

1 Three completed copies of Statutory Declaration form together with three copies of Catalogs, drawings or Bulletins illustrating above fittings shall be submitted.
2 All fittings are required to be registered in the name of the Manufacturer.
3 This form shall be completed and signed by the president or highest official in the manufacturing plant where the fitting is produced.




Note: See the attachment for the scope of the registration.
Design Code: B31.1 & B31.3

Attachment A. Swagelok Manufacturing Locations

This document lists the Swagelok locations where end item or component level manufacturing activities take place.

Swagelok Company 29500 Solon Road Solon, Ohio 44139 USA	Swagelok Company (Falon 1) 348 Bishop Road Highland Heights, Ohio 44143 USA
Swagelok Company (Highland) 318 Bishop Road Highland Heights, Ohio 44143 USA	Swagelok Company (Falon 2) 358 Bishop Road Highland Heights, Ohio 44143 USA
Swagelok Company (OFC) 29495 F.A. Lennon Drive Solon, Ohio 44139 USA	Swagelok Company (HPF) 6050 Cochran Road Solon, Ohio 44139 USA
Swagelok Company (Atlantic) 26651 Curtiss Wright Parkway Willoughby Hills, Ohio 44092 USA	Swagelok Company (Snow Metal) 6060 Cochran Road Solon, Ohio 44139 USA
Swagelok Company (Micro) 26653 Curtiss Wright Parkway Willoughby Hills, Ohio 44092 USA	Swagelok Company (Alfred) 29500 Ambina Drive Solon, Ohio 44139
Swagelok Hose Services Company (SHSC) 29900 Solon Industrial Parkway Solon, Ohio 44139	Swagelok Company (Strongsville) 15400 Foltz Road Strongsville, Ohio 44119
Swagelok (China) Fluid System Technologies Ltd. Changshu Export Process Zone Changshu Economic Development Zone Changshu, Jiangshu 215513 China	Swagelok Company A.G. (European Technology Center) St. GallerstraBe 84 Lachen, Switzerland 8853 Switzerland
Swagelok Limited Tromode IM4 4RA Isle of Man	


10F3

ATTACHMENT TO

C.R.N. CSA-0C2029456

Signed: [Signature]

178 Rexdale Boulevard, Toronto, ON Canada M9W 1R3

THIS IS PART OF
CRN 0C20294.5
 Technical Standards & Safety Authority
 Boilers & Pressure Vessels


Attachment B. Scope of Registration for Swagelok CH Series Check Valves (Category C)

Product Scope

This document represents the scope of Swagelok® CH Series Check Valves covered by this submission for CRN approval. These products were designed and evaluated in accordance with ASME B31.1 for unlisted components and ASME B31.3 for unlisted components.

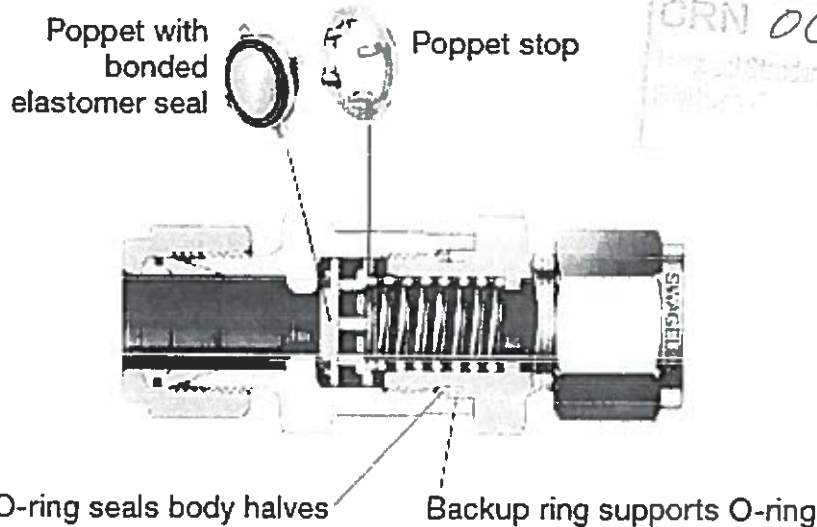
Summary Table

Product Series	Main Pressure Bearing Component	Main Pressure Bearing Material (Standard)	Port Connections and Sizes	Maximum Allowable Working Pressure (psig)		Design Code of Construction
				@100°F	@Max. Temp	
CH4	Body	316 SS (ASTM A479)	Tube Fitting 1/8", 1/4", 6MM Female NPT 1/4" Male NPT 1/4" Female ISO 1/4" Male ISO 1/4" Male VCO fitting 1/4" Male VCR fitting 1/4"	6000 psig	4280 psig @ 400°F	ASME B31.1 (Unlisted Components) and ASME B31.3 (Unlisted Components)
			AN (Army/Navy) fitting 1/4"	5000 psig	3575 psig @ 400°F	
CH4	Body	Alloy 400/405 (UNS N04400/ N04405) (ASTM B164)	Tube Fitting 1/8", 1/4", 6MM	5000 psig	5000 psig @ 300°F	
CH8	Body	316 SS (ASTM A479)	Tube Fitting 3/8", 1/2", 8MM, 10MM, 12MM Male NPT 3/8", 1/2" Male ISO 1/2" Male VCO Fitting 1/2"	6000 psig	4280 psig @ 400°F	
			Female NPT 3/8"	5300 psig	3789 psig @ 400°F	
			Female ISO 1/2" Female NPT 1/2"	4900 psig	3503 psig @ 400°F	
			Female SAE/MS 1/2" Male SAE/MS 1/2"	4568 psig	4280 psig @ 400°F	
			Male VCR fitting 1/2"	4300 psig	3074 psig @ 400°F	
CH8	Body	Alloy 400/405 (UNS N04400/ N04405) (ASTM B164)	Tube Fitting 3/8", 8MM	5000 psig	5000 psig @ 300°F	
			Tube Fitting, 10MM	5000 psig	4215 psig @ 300°F	
			Tube Fitting 1/2"	4400 psig	3652 psig @ 300°F	
			Tube Fitting 12MM	4200 psig	3493 psig @ 300°F	
CH16	Body	316 SS (ASTM A479)	Tube Fitting 3/4" Male NPT 3/4", 1" Male ISO 3/4", 1" Male VCO Fitting 3/4"	3078 psig	3560 psig @ 400°F	
			Tube Fitting, 22MM	4900 psig		
			Tube Fitting 1"	4700 psig		
			Tube Fitting 25MM	4640 psig		

2 OF 3

ATTACHMENT TO
C.R.N. CSA-0220294.5
 Signed: *[Signature]*
 178 Bowdoin Boulevard, Toronto, ON, Canada M5W 1R3

Product Series	Main Pressure Bearing Component	Main Pressure Bearing Material (Standard)	Port Connections and Sizes	Maximum Allowable Working Pressure (psig)		Design Code of Construction
				@100°F	@Max. Temp	
CH16	Body	316 SS (ASTM A479)	Male VCO Fitting, 1"	4700 psig	3120 psig @ 400°F	ASME B31.1 (Unlisted Components) and ASME B31.3 (Unlisted Components)
			Female NPT 3/4" Female ISO 3/4"	4600 psig	3289 psig @ 400°F	
			Female NPT 1" Female ISO 1"	4400 psig	3146 psig @ 400°F	
			Male VCR fitting 3/4"	3700 psig	2645 psig @ 400°F	

Product Illustration



Typical Product Characteristics:

Additional options that do not affect pressure-temperature ratings may be made available within the scope of this registration. Examples of these would include, but not be limited to, poppet springs, lubricants, and body seal materials.

Quality System

The Swagelok Company quality system complies with the requirements of ISO 9001:2015. The Swagelok Company maintains BSI Certificate of Registration Number FM 01729, which applies to all locations listed on the Certificate.

Special Ordering Instructions

None

References

The following product catalog does not represent the full scope of registration, but rather details some of the most common options.

- Check Valves MS-01-176, R11

30F3

APPACHMES TO
 C.R.N. CSA-OC20294.5
 Signed: [Signature]
 178 Rexdale Boulevard, Toronto, ON Canada M9W 1R3